

BORDEAUX™ SERIES

BRICK OVEN

THERE IS NO LIMIT TO WHAT YOU CAN COOK IN YOUR CBO WOOD-FIRED BRICK OVEN. ANYTHING YOU CAN COOK IN YOUR HOME OVEN, YOU CAN COOK IN YOUR CBO OVEN





BORDEAUX™ SERIES

BRICK OVEN

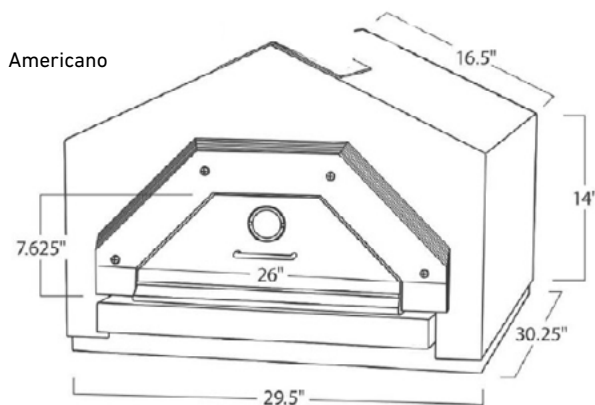
THERE IS NO LIMIT TO WHAT YOU CAN COOK IN YOUR CBO WOOD-FIRED BRICK OVEN. ANYTHING YOU CAN COOK IN YOUR HOME OVEN, YOU CAN COOK IN YOUR CBO OVEN

FEATURES & BENEFITS

- Incomparable Flavor: Anything cooked on a grill or in a conventional oven can be prepared in a wood-burning oven. The difference? Everything tastes better when it's wood-fired.
- Made in the USA: High-performance outdoor pizza ovens sourced and made in the USA to ensure safe and reliable year-round cooking.
- Residential: Outdoor use only.

Americano

Wood-burning brick oven that is especially designed to take full advantage of all four cooking methods: FlameRoll®, Radiant Heat, Convection and Conduction.



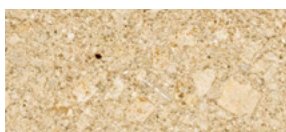
AVAILABLE COLORS



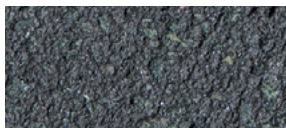
SIENNA



PEWTER



BUFF (ACCENT OPTION)



MIDNIGHT (ACCENT OPTION)

DIMENSIONS

| | | WIDTH | DEPTH | HEIGHT | APPROXIMATE WEIGHT |
|------------|-------------|-------|-------|--------|--------------------|
| BRICK OVEN | Top Unit | 5' | 4' | 50" | 3425 |
| | Bottom Unit | 54" | 42" | 42" | 2790 |

ACCESSORIES

BRICK OVEN ACCESSORIES



Pizza Peel



Brush



FlameRoll®



Radiant Heat



Convection



Conduction



LOCATIONS & CONTACT INFO

ASP ENTERPRISES

aspent.com
salesasp@aspent.com

BOWMAN CONSTRUCTION SUPPLY

bowmanconstructionsupply.com
salesbcs@bowmanconstructionsupply.com

QUICK SUPPLY CO.

quicksupplyco.com
salesquick@quicksupplyco.com

CASCADE GEOSYNTHETICS

cascadageos.com
salescascade@cascadageos.com

St. Louis, MO 636.343.4357
Omaha, NE 402.861.8579
Kansas City, MO 816.554.1191
Wichita, KS 316.393.1554

Denver, CO 303.696.8960
Colorado Springs, CO 719.257.7840
Loveland, CO 970.535.0863

Des Moines, IA
515.289.1271

Portland, OR
971.339.1020

SOLUTIONS WE SUPPLY

GEOSYNTHETICS

Filter Fabrics
Stabilization Fabrics

Geogrids

- Road Grids
- Wall Grids
- Slope Stabilization

Specialty Fabrics

Composite Geomembranes

- GCLs, PVC, HDPE, LLDPE, EPDM, Granular Bentonite

SEDIMENT CONTROL

Inlet Protection

- Grated Inlet, Curb Inlet, Area Inlet Protection

Ditch Checks

- Triangle Silt Dike
- GeoRidge

Perimeter Protection

- High and Low-Porosity Silt Fence, Straw Wattles, Silt Socks
- Safety Fence

Flocculants & Water Treatment

- Polymer-Based & Natural Flocculants

Sediment Basin Skimmers

Dewatering Bags

Trackout Control

- FODS
- Rumble Grates

Turbidity Curtains

EROSION CONTROL

Basic Hydraulically Applied Mulches

- Wood
- Paper
- Blends
- Straw

High-Performance Hydraulically Applied Products

- BFM
- FGM
- Additives & Tackifiers

Temporary Erosion Control Blankets

- Coir & Jute Mat/Nettings
- Short-Term ECBs
- Extended-Term ECBs

Permanent Erosion Control Blankets

- Turf Reinforcement Mats
- HP-TRMs
- Anchor Reinforced Vegetation System

Structural BMPs

- Transition Mats
- Geoweb Cellular Confinement
- Composite Vegetated Armor System
- Flex MSE Vegetated Wall System
- Articulated Concrete Block
- Gabions
- Grout-Filled Geotextile Mats

Vegetation Establishment

- Native Seed & Turf Seed
- Fertilizers
- Organic Soil Additives
- Stratavault Soil Cells

STORMWATER MANAGEMENT

Water Quality

- Inlet Filter Boxes
- Pre-Treatment Chamber
- Nutrient Separating Baffle Boxes
- High-Flow Biofiltration Media
- Hydrodynamic Separators
- Stratavault

Water Quantity

- Modular Underground Storage Systems
- Chamber Detention Systems

Drainage

- HDPE Swale Liner
- Pipe & Fittings
- Drainage Composites
- Strip Drain

Inlet Structures

- PVC
- Drain Basins, In-Line Drains
- Landscape

Permeable Pavers

- Permeable Articulating Concrete Block
- Grass Pavers
- Gravel Pavers
- Concrete Pavers

SPECIALTY

Natural & Synthetic Coir Fiber Logs

Vegetated Reinforced Soil Slopes

Soil Anchors

Root Barrier System

AquaBlok

Muscle Wall

We are full line distributors of construction materials for all project types. Contact us for assistance with a project. From specification and development to installation and completion, we're here to help with all of your site solution needs.

**GEOSYNTHETICS | EROSION CONTROL | STORMWATER MANAGEMENT
SEDIMENT CONTROL | REVEGETATION & SOIL AMENDMENTS**